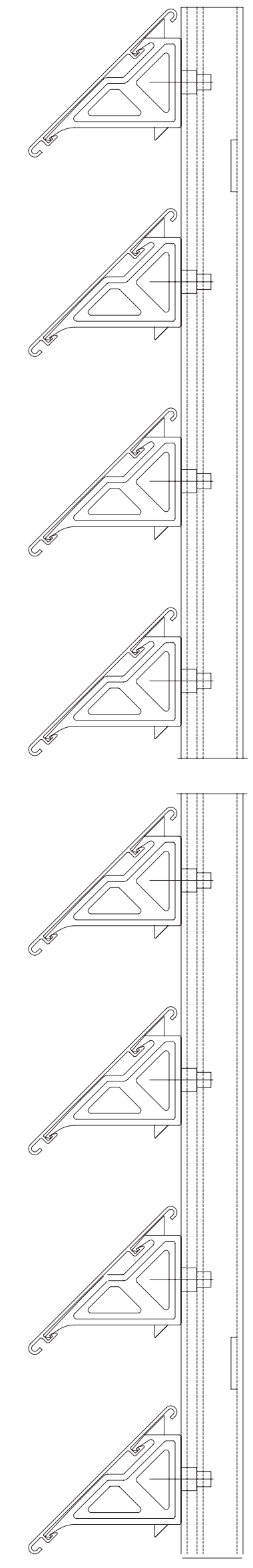
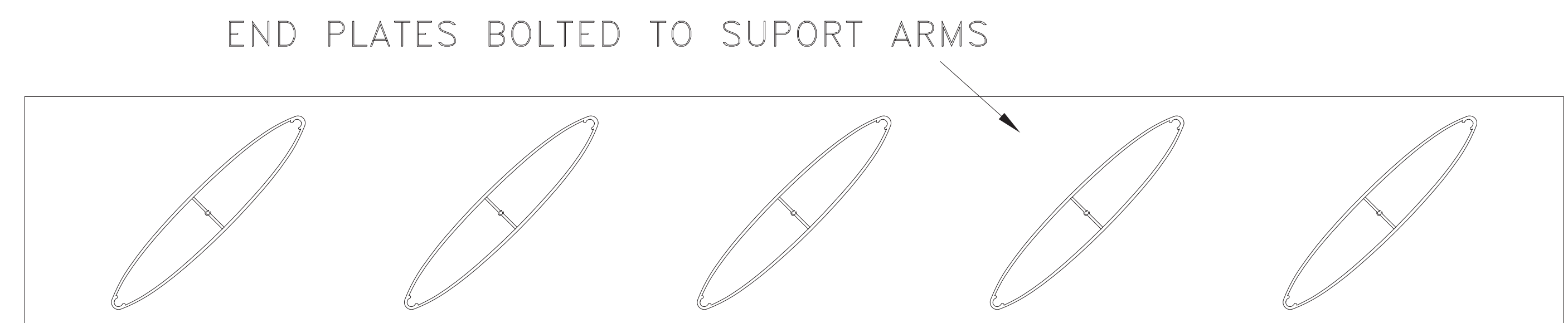
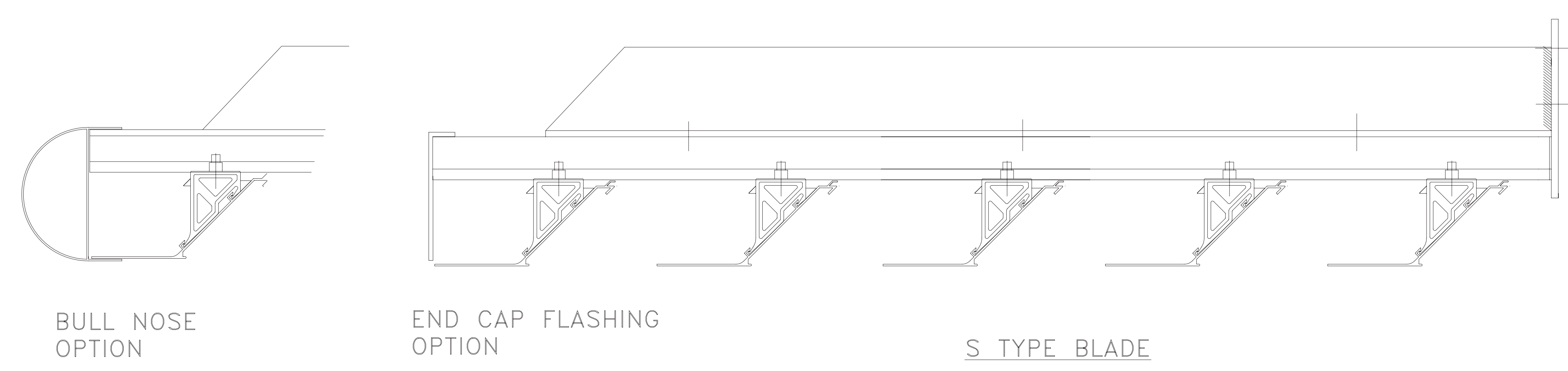
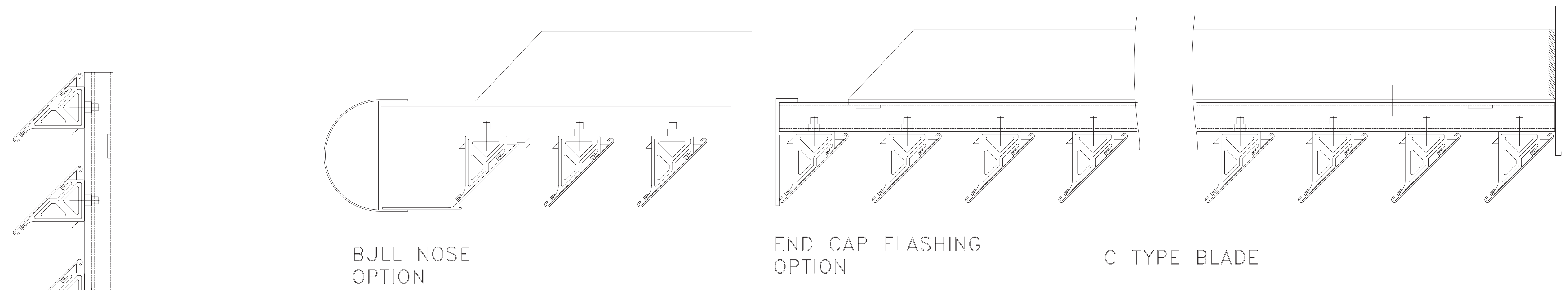


LOUVRE TYPE :	LOUVRE_TYPE
TRIM TYPE :	TRIM_TYPE
GUARD TYPE :	GUARD_TYPE
PAINT TYPE :	PAINT_TYPE
FINISH :	FINISH
COLOUR :	COLOUR
LOCATION :	LOCATION
CUSTOMERS REF :	CUST_REF'S
GAV REF :	GAV_REF'S

DO NOT SCALE DRAWING, IF IN DOUBT ASK.
 ALL DETAILS & DIMENSIONS MUST BE CONFIRMED AS CORRECT BEFORE MANUFACTURE OF LOUVRES CAN COMMENCE.
 CUSTOMER DRAWINGS USED :-
 CUST_DRAWINGS_USED



VERTICAL C BLADE

Rev	Description	Mod. By	Date
-----	-------------	---------	------

© COPYRIGHT 2009 HUNTER PRODUCTS
 THIS DRAWING & DESIGN ARE THE PROPERTY OF HUNTER PRODUCTS GROUP., AND MUST NOT BE COPIED OR USED IN ANY WAY PREJUDICIAL TO THEIR INTERESTS.

Project

Customer

Drawing Title
**BRISE
 SOLEIL**

Location/Panel Ref. PANEL_LOCATION

Drawing No.	Sheet No.	Revision
DWG_NO	SHT	REV

Scale	DATE
SCALE	DATE
Computer File No.	Project No.
COMPUTER_FILE_NO	CONTRACT_NO
Drawn By	Checked By
DRAWN_BY	CHKED_BY
Coordinated By	Approved By
CONTRACT_ENGINEER	APP'VD_BY

GILL AIR
 OFFICE SUITE 3, 22 BUSINESS PARK,
 BRIDGE HALL LANE, BURY, BL9 7NY
 Tel. 0161 763 3735 www.gillair.net

NOTE: The details shown within this drawing are for use as an aid only. If you are unsure which blocks are best suited for your application please contact our technical team on (0161) 763 3735 and we will be

© COPYRIGHT 2009 HUNTER PRODUCTS
 THIS DRAWING & DESIGN ARE THE PROPERTY OF HUNTER PRODUCTS GROUP., AND MUST NOT BE COPIED OR USED IN ANY WAY PREJUDICIAL TO THEIR INTERESTS.